



Pallet Transporter
and Positioner

***Bishamon's UniLift™
The Only Pallet Handler That
Can Lift & Transport
A Standard Pallet
Without Straddling It!***



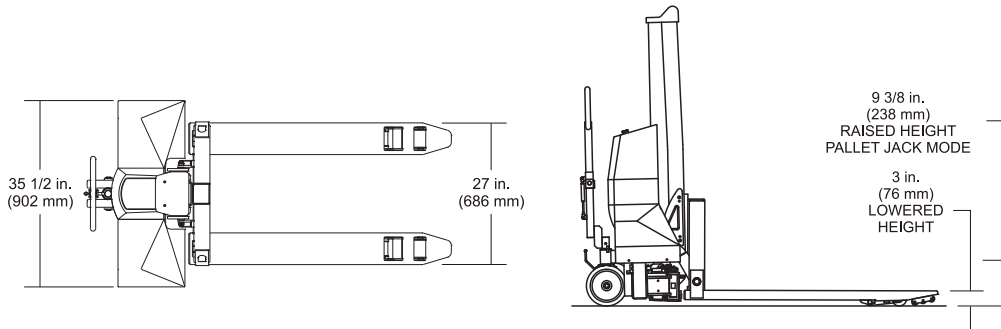
Learn More at: bishamon.com

Experience Industry's
"Best Engineered"
Ergonomic Equipment

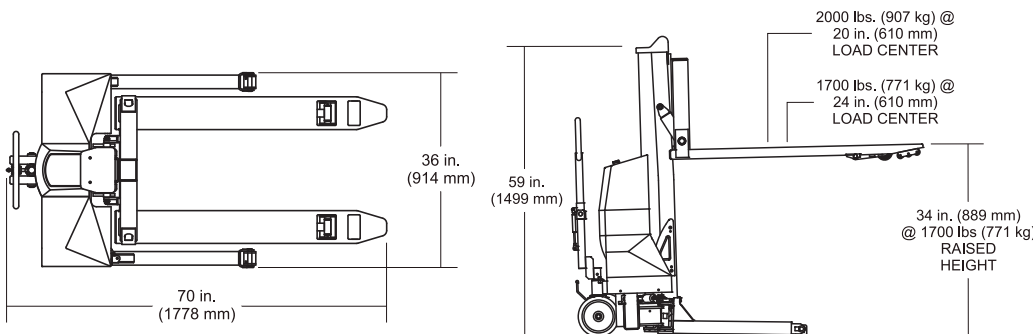
Working Harder To Make Your Job Easier

UniLift				
Model	Pallet Jack Mode Capacity	High Lift Mode Capacity 20" Load Center	High Lift Mode Capacity 24" Load Center	Approximate Shipping Weight
UNI-20	2,000 lbs.	2,000 lbs.	1,700 lbs.	750 lbs.

UNI-20 (pallet jack mode)



UNI-20 (high lift mode)



Standard Features

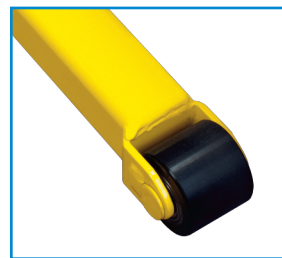
- Can be used with standard GMA pallets, 48" x 40" CHEP pallets and/or skids
- Dual-purpose product allows for both transport and load lifting
- Handles and steers like a standard pallet jack
- Lifting fork height up to 36"
- Lift cap. up to 2000# (see chart)
- Multi-roller fork entry system for easy pallet entry and exit
- Foot brake on steering wheels
- On-board, automatic battery charger
- Efficient 24 VDC battery system powers lift operation
- Electro-mechanical outrigger actuation with position sensors
- Electronic operator console with "raise and lower" buttons, dual function key /battery disconnect switch, outrigger position LED's, charger status and battery condition LED's
- 8" diameter polyurethane steering wheels
- 3" diameter polyurethane load wheels
- Durable powder coated finish

UniLift™ Options

- Outrigger Load Wheels
- Hand Controller
- Carriage Maintenance Kit



Hand Control



Outrigger Load Wheels

Warranty:

Bishamon Industries Corporation warrants its products to be free from defects in material and workmanship for a period of one (1) year from the date of initial shipment. This warranty shall not apply to any misuse, mishandling, accident, shipping, alteration, or unauthorized repair of any Bishamon product or part. For complete details of warranty, please contact Bishamon at: 800-358-8833.

Patents Issued:

United States No. 8,376,089; China No. ZL200780049482.8; Japan No. 5,575,484; Korea No. 10-1244363 and European Patent No. 2102092. Granted with effect in France, Germany, Italy, United Kingdom

DISTRIBUTED BY:



Bishamon Industries Corporation

5651 East Francis Street
Ontario, California 91761-3601

Ph: 800-358-8833 US & Canada
909-390-0055 Outside US/CN
Fax: 800-700-0492

www.bishamon.com

BIC-UNI-3-19